



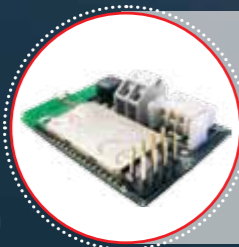
New power in *your* hands.



The innovative technology that gives you more power

An absolute innovation, and Bft exclusive, with surprising new-generation performance: U-Link is a cross-platform that allows the creation of technological ecosystems, offering maximum control.

- **U-Control** a new Android App that shows the potential of U-SDK in the public and commercial sector in a few simple steps.
- **U-Base 2** facilitates the management of a system interconnected via U-Link, allowing control of the automation parameters.
- **U-SDK** allows the system integrators to make other brands of home automation systems communicate with Bft products interconnected in a U-link network.



B-eba

A direct line with your operators.

B-eba expansion cards allow the connection of external devices, such as PCs, smartphones and tablets, to a Bft operator or Clonix receiver, or the connection of several Bft products in a U-Link network. These accessories integrate with U-Link technology and Bluetooth, Z-Wave, TCP/IP protocols, as well as the RS485 serial connection. A device that fully translates what Bft intends for interconnectivity.



Clonix U-Link

Allows old-generation products or non-Bft products to be connected to U-Link systems.

Can old-generation Bft operators or products of another brand be connected to U-Link? Yes, thanks to the Clonix U-Link receivers. Accessories that know no limits.

The contents of this catalogue (images, technical descriptions, illustrations) are the exclusive property of Bft s.p.a. Reproduction in any form and on any medium is forbidden. Copyright 2015. All rights reserved. The data given in this publication is only a guide. Bft reserves the right to make any changes without prior notice.

Team up with us: **be ahead!**

Advanced solutions, with unique and exclusive features. But also simple, accessible, and close to people. Next-generation technologies designed to improve the lives of all: installers and those who use them.

This is us today: a company focused on the needs of the present, with an eye to the future. A professional and understanding company, able to take its partners by the arm and, thanks to a full access specialist approach, make them proceed at that dynamic pace allowing them to always be in the forefront. A company where the technical component is supported by the power of passion, and where engineering expertise is completed by the brilliance of inventiveness. Because we like to listen to you, understand you, address your needs and offer new opportunities; always giving you the best, with increasingly sophisticated tools designed to enhance performance. A fast and smart technology, always accelerating: to advance at the pace of innovation and, together with you, always be a step ahead.



Bft SpA
Via Lago di Vico, 44 - 36015 Schio (VI) - ITALY
T. +39 0445 696511 - F. +39 0445 69 65 22 - info@bft.it
www.bft-automation.com



Be ahead

0832966 00201



ANTI-TERRORIST BOLLARDS



Be ahead



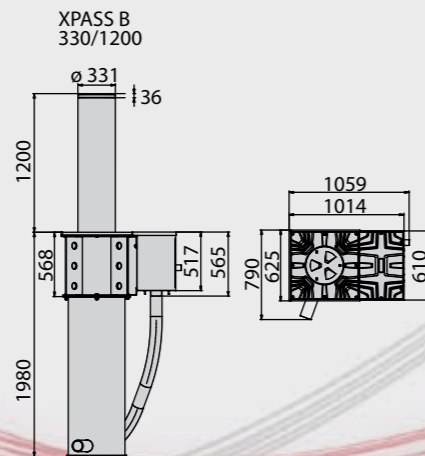
XPASS B 330/1200

Anti-terrorist bollard

Anti-terrorist bollards tested and certified (crash-tested) by an independent body according to standards IWA14-1:2013 V/7200(N3C)/80/90 (formerly K12).
Anti-terrorist protection even with a single bollard.
Independent lateral hydraulic control unit for each bollard: in case of a control unit failure the other bollards remain functional and operations can continue.



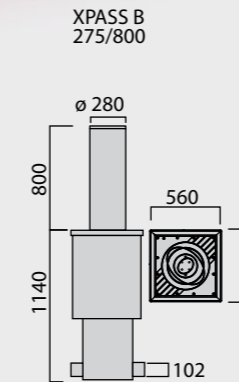
Scan the QR code and watch the crash test video



XPASS B 275/800

Anti-terrorist bollard

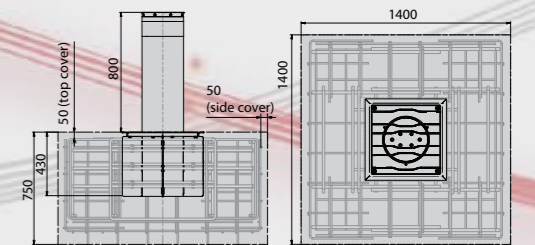
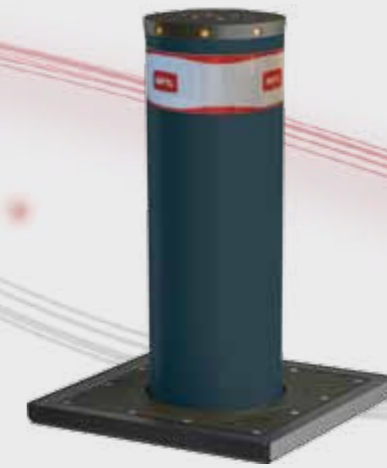
Anti-terrorist bollards tested and certified (crash-tested) by an independent body according to standards PAS 68:2010 7500/50/N2 crash simulated (formerly K4, single bollard). Anti-terrorist protection guaranteed even with single bollard. Independent hydraulic pump for each bollard: in case of a control unit failure the other bollards remain functional and operations can continue.



RANCH D

Anti-terrorist fixed bollard

Anti-terrorist fixed bollard. Suitable for protecting sensitive sites. Used for long-term access prevention, it can incorporate the use of XPASS range automatic bollards on large areas.



*The metal cage in the figure is not supplied.

SPECIFICATIONS

	XPASS B 330/1200C L	XPASS 330/1200C L ECD
Operator	hydraulic bollard	hydraulic bollard
Voltage	230 V	230 V
Shaft height	1200 mm	1200 mm
Thickness	25 mm	25 mm
Shaft diameter	330 mm	330 mm
Rising time	max 5.3 sec.	max 5.3 sec. (2.5 sec. for emergency)
Shaft treatment*	RAL 7015 painted steel and reflective film h: 100 mm	RAL 7015 painted steel and reflective film h: 100 mm
Lowering time	4 sec.	4 sec.
Control unit	PERSEO CBE 230.P SD	PERSEO CBE 230.P SD
Breaking resistance	2100000J	2100000J
Frequency of use	2000 Op/day	2000 Op/day
Antiterrorism reference standard	IWA14-1:2013 V/7200(N3C)/80/90	IWA14-1:2013 V/7200(N3C)/80/90
Type of limit switch	reed magnetic sensor	reed magnetic sensor
Manual operation	reversible with mechanical key with no power	reversible with mechanical key with no power
Ambient conditions	-40°C +60°C	-40°C +60°C

*if the code contains LI: LI= AISI 304 or AISI 316 stainless steel on request

SPECIFICATIONS

	XPASS B 275/800C L	XPASS B 275/800C L LSD
Operator	hydraulic bollard	hydraulic bollard
Voltage	230 V	230 V
Shaft height	800 mm	800 mm
Thickness	10 mm	10 mm
Shaft diameter	275 mm	275 mm
Rising time	7 sec.	7 sec.
Shaft treatment*	RAL 7015 painted steel and reflective film h: 100 mm	RAL 7015 painted steel and reflective film h: 100 mm
Lowering time	4 sec.	4 sec.
Control unit	PERSEO CBE 230.P SD	PERSEO CBE 230.P SD
Control unit	730000J	730000J
Frequency of use	2000 Op/day	2000 Op/day
Antiterrorism reference standard	Pas 68:2010 7500/50/n2 crash simulated	Pas 68:2010 7500/50/n2 crash simulated
Type of limit switch	reed magnetic sensor	reed magnetic sensor
Manual operation	reversible with mechanical key with no power	reversible with mechanical key with no power
Ambient conditions	-40°C +60°C	-40°C +60°C

*if the code contains LI: LI= AISI 304 or AISI 316 stainless steel on request

SPECIFICATIONS

	RANCH D 275/800 C L	RANCH D 275/800 C LI
Operator type	fixed bollards	fixed bollards
Shaft height	800 mm	800 mm
Shaft diameter	275 mm	275 mm
Shaft thickness	10 mm	10 mm
Shaft treatment	RAL 7015 painted steel and reflective film h: 100 mm	AISI 304 or AISI 316 stainless steel
Breaking resistance	730000 J	730000 J

*if the code contains LI: LI= AISI 304 or AISI 316 stainless steel on request